

Date _____
AVFI Sales REP _____
Customer Signature _____

Quote No. _____
Customer No. _____
AVFI No. _____

Office Use Only

To generate your order form, please refer to the information provided below to insert the alphabetic and/or numeric code in the respective category boxes. Please note that without this filled out Order Form, your purchase cannot be processed.

Table with 4 columns: 1 Product Model, 2 Finish, 3 Chargeable Accessories, 4 Custom Cutouts. Row 1 contains 'LEX17' in the first column.

Section 1: Product Model. Shows two views of the LEX17 product with the code 'LEX17' displayed below.

Section 2: Choose Product Finish. Lists Standard Finishes (FMT, BRT, ART, EBT) and Optional Finishes (HCT, CLT, CJT, CWT, BAT) with corresponding color swatches.

Section 3: Chargeable Accessories (Check all that apply). List of accessories with codes (e.g., D1, D2, D3, E1, E3, E5, EB, E7, E4, EJ, EK, EL, EF, D5, K3) and Qty: fields.

Section 3: Chargeable Accessories (Check all that apply). List of accessories with Code and Qty: fields. Includes notes: * Cutout Required (Extra Charges will apply), § Only on Flat Cutout.

Date _____
 AVFI Sales REP _____
 Customer Signature _____

Quote No. _____
 Customer No. _____
 AVFI No. _____

Office Use Only

Comments (Please use this section to provide additional information)

Notes

CAD Drawings/Symbols

CAD drawings are available by request at sales@vegroun.net

Custom Cutouts

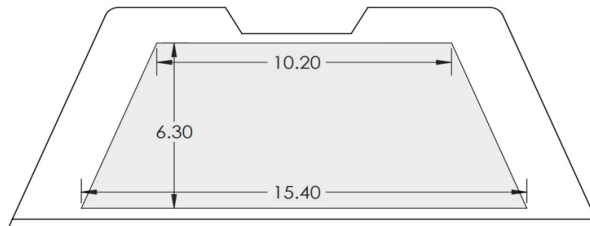
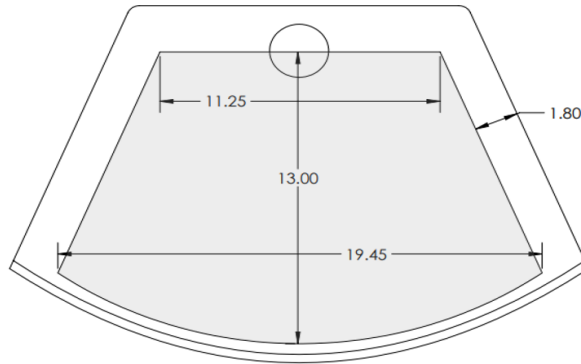
Estimated lead time within 20 business days from receipt of P.O. and signed drawings.

Customizations

Modifications to design such as shape and/or size variations have to be quoted on a per case basis and are applicable for quantities of 10+ only.

Please indicate custom cutout location on the drawing(s) below

4 Custom Cutout Option (Extra charges will apply)



Code **CO** No Custom Cutout

Code **CC** Custom Cutout (Specify on Cutout Area Above)

■ Cutout Area - Work Surface